

TECHNICAL DATA – 1 of 3

Amberline

Uncoated – Eucalypt Core

SCOPE OF USE

A decorative plywood designed for projects where you don't need a structural panel. Ideal for wall and ceiling linings in residential, commercial, or industrial spaces where a premium finish isn't essential. It's also a handy choice for general DIY jobs and craft projects.

LIMITATIONS

Amberline must not be used in exterior settings without full protection, in interior areas prone to moisture, or in any location exposed directly to weather or humidity.

MOISTURE CONTENT

Skape Lining Plywood has an average moisture content of 6–15% at the time of manufacture and will remain within this range when stored and handled correctly. Refer to the Installation Guide for further details.

TECHNICAL PROPERTIES

A decorative plywood with two warm, reddish-brown Redwood faces. It features a neat B-grade front and a practical C-grade back, showcasing the species' straight grain and natural warmth. The Redwood veneer is pressed onto a Poplar core, giving each panel a clean, tidy appearance.

Sizes Available	2400 x 1200 4, 6, 9, 12 & 18mm, 2700 x 1200 9mm
Species	Hardwood veneer / Poplar Core
Country of Origin	China
Structural Standard	9/12mm - P21 Brace Tested by Scion NZ 2021
Treatment Type	Untreated
Face Grade	BC
Glue Line	EN 314-1
Emission	ISO 12460-3 - ± 0.13 mg/m ² /h
Certification	CE 2+
Hazardous Goods Rating	NA
BPIR Class	Class 1
Warranty Period	12 Months Limited & Conditional
Density Average	540kg/m ³

TECHNICAL DATA – 2 of 3

Amberline

Uncoated – Eucalypt Core

DIMENSIONAL PROPERTIES

Tolerances:

Length +2.0mm/-2.0mm on the specified nominal value

Width +1.0mm/-1.0mm on the specified nominal value

Thickness ± 0.5 mm on the specified nominal value for sanded grades

LAYER CONSTRUCTION

Thickness of plywood	Layers of core veneers	add the face/back, total layers	Weight per sheet 2400x1200mm (about 540kgs/m ³)
4	3	5	6.0kgs
6	3	5	9.0kgs
9	5	7	13.6kgs
12	7	9	18kgs
18	11	13	27kgs

TECHNICAL DATA – 3 of 3

Amberline

Uncoated – Eucalypt Core

BRACING RATINGS

The Amberline and Silverline range of plywood has been P21 Brace Tested by Scion, New Zealand and have been manufactured and tested in accordance with NZS3604:2011. The range is resistant to earthquake and wind loads on timber framed buildings.

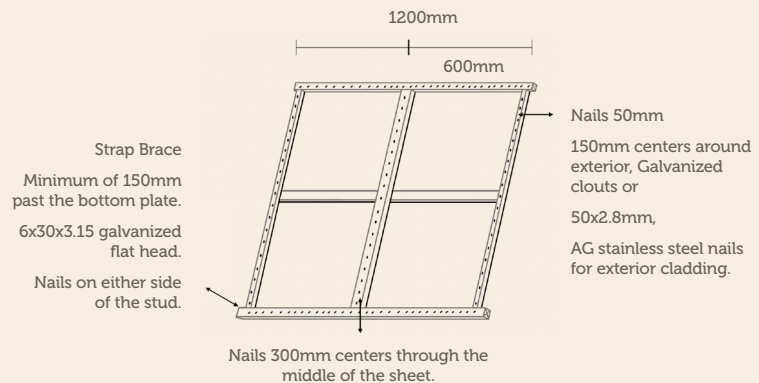
For more information on bracing and installation, please refer to our Plywood Bracing Installation Guide.

Thickness (mm)	9mm	12mm
Min Wall Length (mm)	1200	1200
Max Stud Spacing (mm)	600	600
Wind BU/m	109	114
Earthquake BU/m	109	114

Notes: 20 bracing units = 1kN.

* As limited by the serviceability load capacity.

** As limited by the ultimate load capacity.



Test Notes:

- Walls were constructed using 90x45 MSG8 studs (600 centres), plates and nogs.
- Straps of 25x0.9mm around the bottom plate at each outside stud and extended a minimum of 150mm past the top of the bottom plate were used with at least 6 timber bracket galvanized 30x3.15mm FH nails on each side of the plate giving 6kN on each side of the stud.
- Tested on a concrete floor with 2 M12 hold down bolts and 50x50x3 galvanized washers on each.
- Tested by Scion, New Zealand, April 2011.

WARRANTY INFORMATION

Skape Limited provides a limited warranty for our Interior Lining Untreated Plywood, ensuring the product is free from manufacturing defects for a period of 12 months from the date of purchase. This warranty covers issues related to material quality and workmanship, provided the plywood is installed and maintained according to standard guidelines. This warranty does not cover damage resulting from improper installation, exposure to moisture, environmental conditions, or misuse. Claims must be submitted with proof of purchase for evaluation.